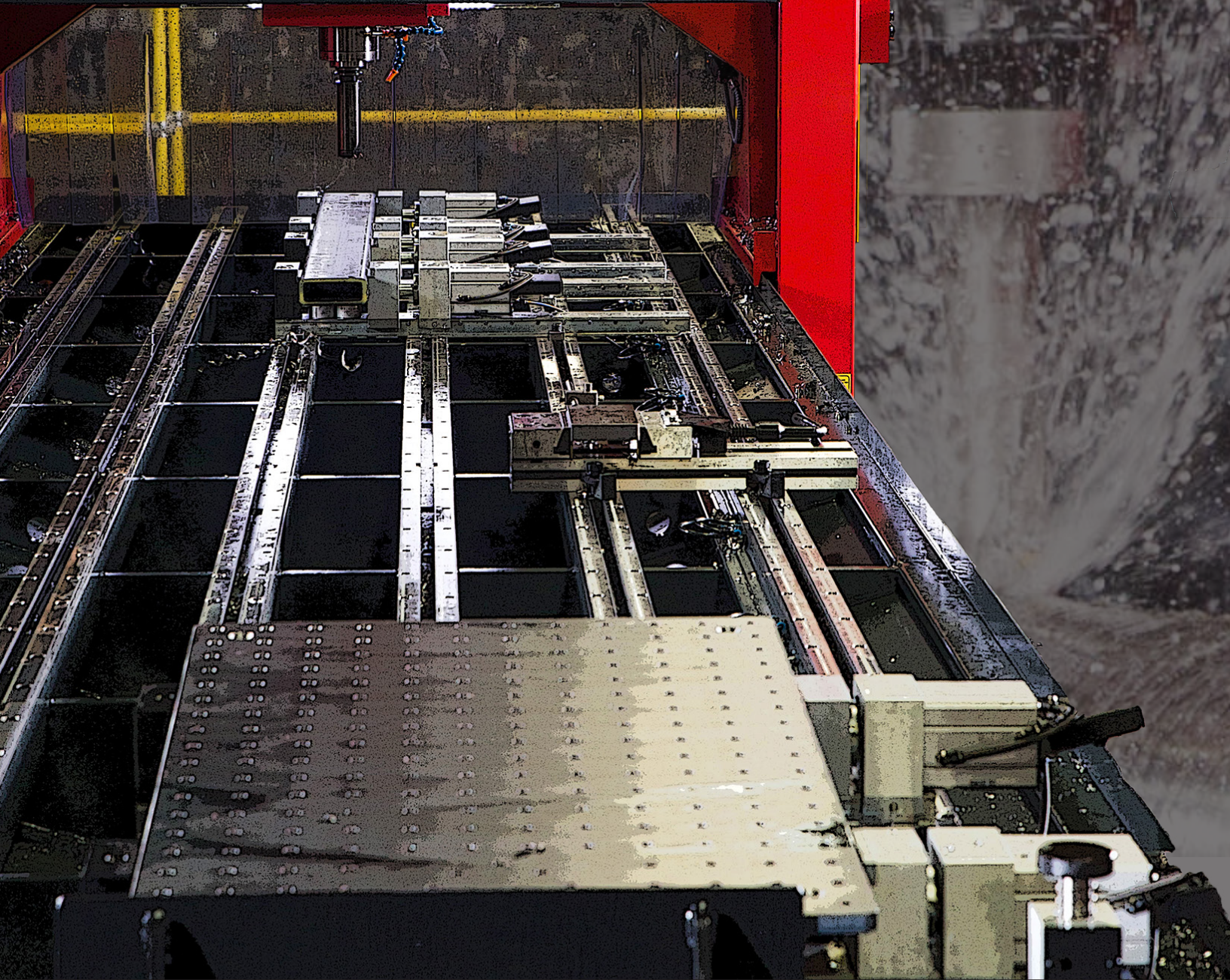


Mill • Drill • Tap • Bevel • Chamfer • Helical Mill • Bore

FlexDrill^{CNC}

GRD Series SIZE MATTERS



X Axis 10' - 35'+

Y Axis 4' - 6'+

Customizable by Size, Capabilities, and Accessories

Rev 3/22/2018

419-739-MILL
www.flexdrillcnc.com

GRD Specifications

FlexDrill^{CNC}

Step One: Choose Bed Size

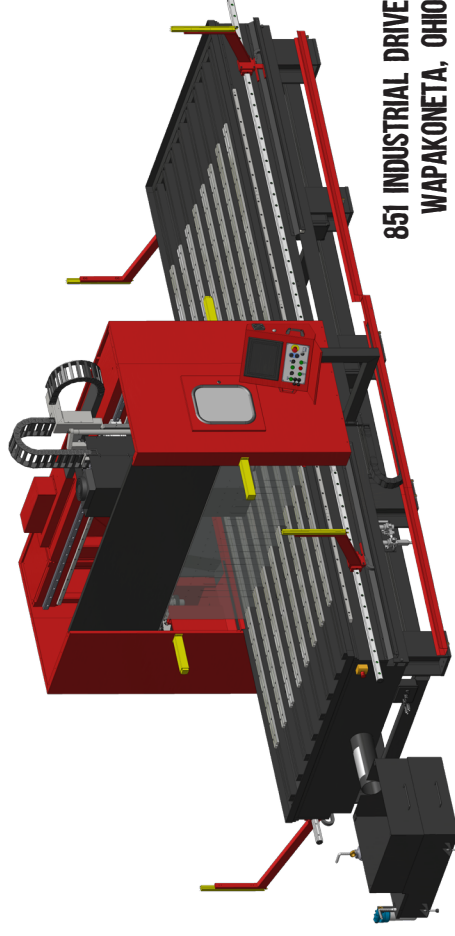
Model Number	GRD 10-04	GRD 15-04	GRD 20-04	GRD 10-06	GRD 15-06	GRD 20-06
Machine Bed Size (X,Y)	10' X 4'	15' X 4'	20' X 4'	10' X 6'	15' X 6'	20' X 6'
Price	\$176,995	\$196,995	\$213,995	\$181,995	\$201,995	\$220,995

Step Two: Choose RPM and Torque

Spindle RPM	6000 rpm	4000 rpm	3000 rpm	2400 rpm	2000 rpm
Max Torque	52 ft/lbs	64 ft/lbs	83 ft/lbs	105 ft/lbs	126 ft/lbs
Max Torque (With 18 hp upgrade)	74 ft/lbs	92 ft/lbs	123 ft/lbs	155 ft/lbs	184 ft/lbs
Max Torque (With Optional ZF Gearbox)		368 ft/lbs			

Rapid Travel Rates

Max Rapid Rate (X)	1181 in/min
Max Rapid Rate (Y)	984 in/min
Max Rapid Rate (Z)	165 in/min
Z Axis Travel	19.5"
Spindle Nose to Table	CT40: 5.5" - 25" / CT50: 3.1" - 22.8"
Spindle Taper	CT or BT: 40/50



SIZE MATTERS

851 INDUSTRIAL DRIVE
WAPAKONETA, OHIO
419-739-MILL

Accessories

CUSTOM LENGTH BEDS AVAILABLE - CALL FOR QUOTE - 419-739-MILL

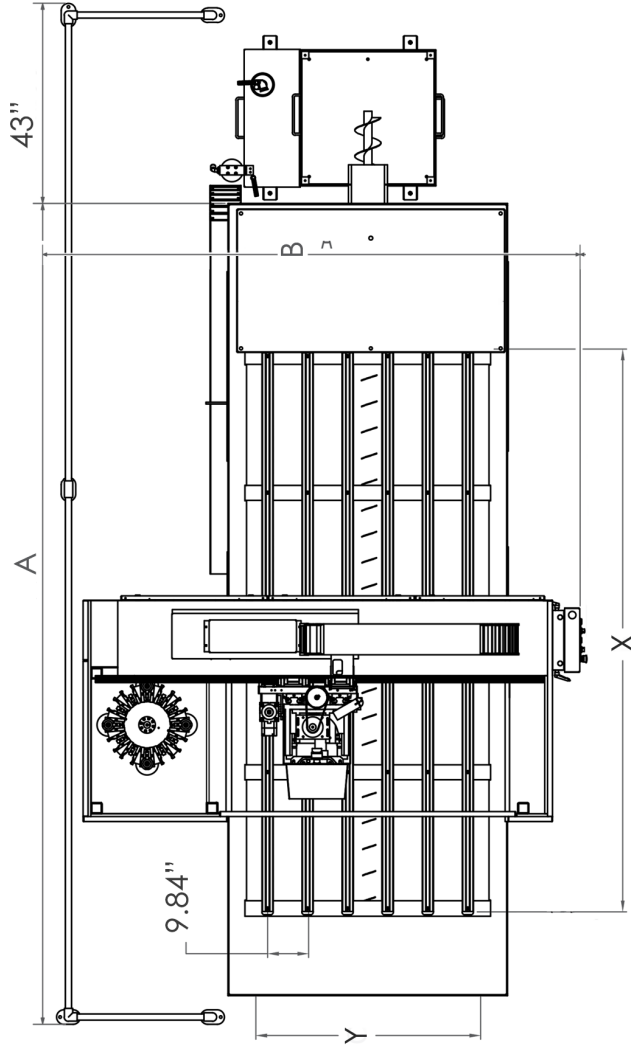
Ref. #	Machine Accessories	Price
1	ZF Gearbox with two speed ranges 50 to 1000 and 1000 to 4000	\$19,995
2	18hp spindle drive motor (instead of 12hp)	\$5,195
3	Through Spindle Coolant (TSC)	\$4,495
4	14-Station Automatic Tool Changer (ATC)	\$13,945
5	External Control Panel on linear guide	\$4,295
6	Air Blast System	\$1,995
7	Automatic Micro-spray Lubrication system	\$2,795
8	Renishaw Probe System: model RMP 40	\$14,495
9	Z-Reader Probe for automatic Z correction	\$4,595
10	CT50 Spindle	\$11,495
11	10 Station Automatic Tool Changer: CT 50	\$18,445
12	Rear Mobile Light Curtain Barrier	\$4,555
13	Bed Extension	Quote
14	Z Stroke Increase	Quote
15	Magnetic Scales	Quote
16	Increase Bridge Height	Quote

Ref. #	GRD 4th Axis	Price
17	4th Axis Prep	\$1,500
18	4th Axis Model D-250 - 10" Platter	\$16,995
19	4th Axis Model D-400 - 16" Platter	\$23,995

Ref. #	Fixturing Options	Price
19	Chuck: 3 Jaws - 4th Axis	\$1,395
20	Chuck: 4 Jaws - 4th Axis	\$1,500
21	Table with linear guides for model D-250: Positioning in Y Axis	\$5,795
22	Adjustable Manual Tail Stock	\$2,245
23	Adjustable Pneumatic Vice for round tubes	\$2,495
24	Universal Pneumatic Vice - Clamping Range: 23.2"	\$1,395
25	Insert for multi-vice unit (for FlexDrill's Universal Pneumatic Vice)	\$695



Standard Features Include: 400V, GRD front mobile light-curtain barriers, frame with chip conveyor and T-slotted table, flood coolant, and automatic tool calibrator



GRD Series Dimensions

A	15'	20'	25'	30'	35'
X	10'	15'	20'	25'	30'
Y	4' / 6'				
B	10' / 12'				

Repeatability Accuracy

X: +/- .001
Y: +/- .0007
Z: +/- .0005

Position Accuracy

X: +/- .002
Y: +/- .0015
Z: +/- .001

Weight Limit: 614 lb/ft²

